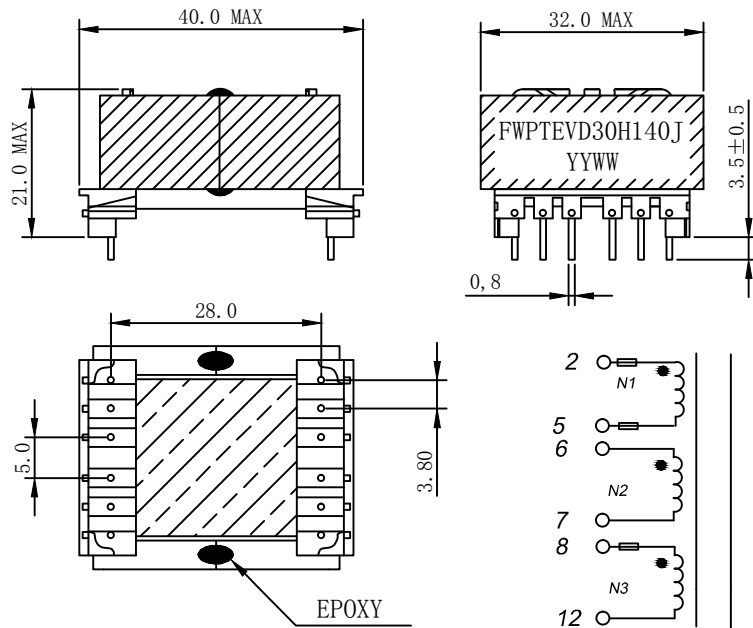
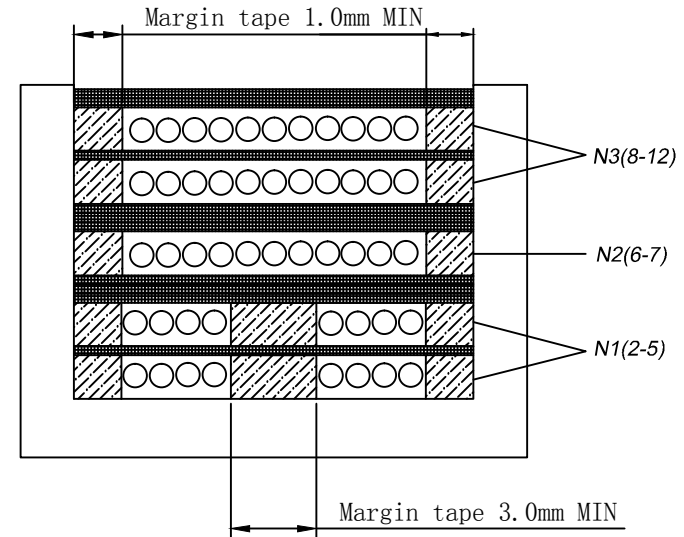


CUSTOMER TERMINAL	ROHS	Lead (Pb) -free
	YES	YES

1. Mechanical Dimensions



2. Winding:



3. Material List

Core:FW40-EVD30
 Bobbin:FWB-EVD3001(6+6PIN)
 Wire:LITZ
 Epoxy:E-500(BLACK)
 Margin tape:WF-2902
 Sleeving:TFL sleeving

4. Electrical Specification

Inductance: $L(6-7) = 14.7\mu H \pm 3\%$ 10.0KHZ 0.05V
 Leakage inductance: $L(6-7) = 500nH$ 10.0KHZ 0.05V
 shorted N1,N3
 DCR: (6-7)= 38mΩ (2-5)=350mΩ (8-12)=550mΩ
 HI-POT: N1-N2 AC 1000V 5mA 2s
 N2-N3 AC 1100V 5mA 2s
 coil-core AC 2000V 5mA 2s

REV.	DATE	 Convention Placement	DRW.	Drawing Title: TRANSFORMER	Part No:
0	08/13		CHK.		Customer P/N:
RoHS		www.ferriwo.com	APP.		Specification Sheet 1 of 1